



51549-XXX X X-XXX

NO OF CKT

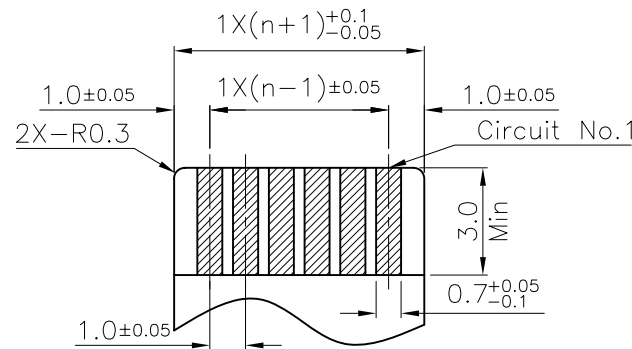
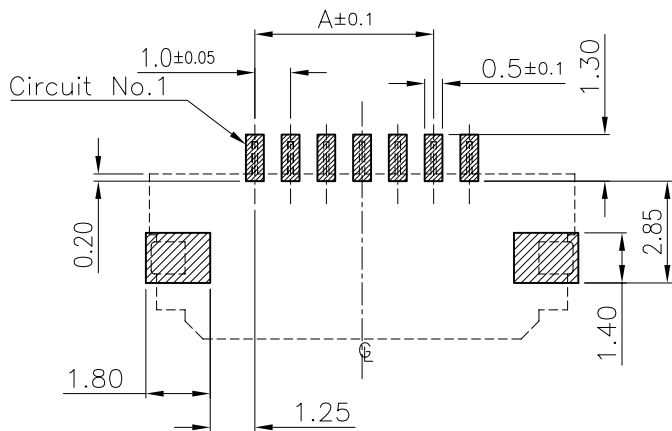
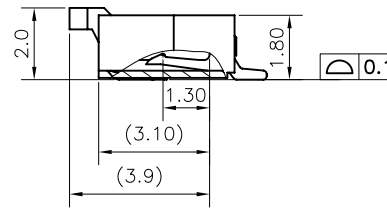
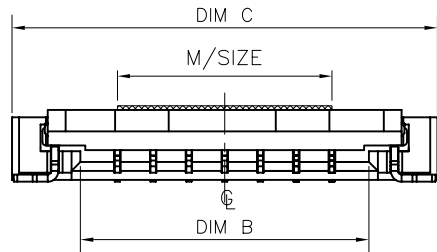
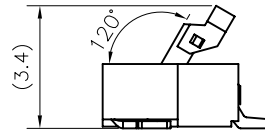
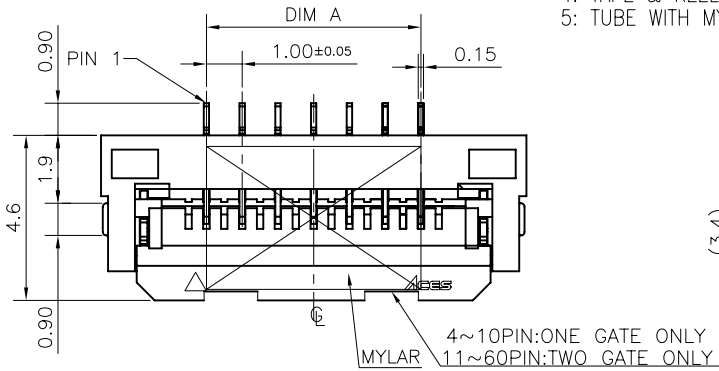
	HOUSING MATERIAL & COLOR	ACTUATOR MATERIAL & COLOR	HALOGEN FREE
001	HF PLASTIC & NATURAL	HF PLASTIC & BLACK	<b>HF</b>

PACKING  
 0: TAPE & REEL  
 1: TUBE  
 4: TAPE & REEL WITH MYLAR  
 5: TUBE WITH MYLAR

PLATING  
 1: GOLD FLASH  
 N: MATT TIN

NOTES:

- MATERIAL:
  - HOUSING: THERMOPLASTIC, HIGH TEMP.,UL94V-0; COLOR:NATURAL.
  - ACTUATOR: THERMOPLASTIC, HIGH TEMP.,UL94V-0; COLOR:BLACK.
  - CONTACT: COPPER ALLOY
  - FITTING NAIL: COPPER ALLOY
- FINISH:
  - CONTACT:50u" MIN. NICKEL PLATING OVERALL, 1: GOLD FLASH PLATING; N: 80~120u" MATT TIN PLATING
  - FITTING NAIL:50u" MIN. NICKEL UNDERPLATING OVERALL, 100u" MIN. MATT TIN PLATING.
- REFLOW SOLDER CAPABLE TO 260°C PER ACES SPEC.
- SPEC. PLS. REFER TO PS-51549-XXXXX-XXX.
- PACKAGE PLS. REFER TO 51548-XXXXX-TRP(CKT\*2+1).
- PART NUMBER



APPLICABLE FPC RECOMMENDED DIM.  
(THICKNESS: 0.3±0.03)

RECOMMENDED PC BOARD PATTERN DIM.(REF.)

CKT	Dim A	Dim B	Dim C	M/s(W)
4	3.00	5.07	8.90	6.00
5	4.00	6.07	9.90	6.00
6	5.00	7.07	10.90	6.00
7	6.00	8.07	11.90	6.00
8	7.00	9.07	12.90	6.00
9	8.00	10.07	13.90	6.00
10	9.00	11.07	14.90	6.00
11	10.00	12.07	15.90	6.00
12	11.00	13.07	16.90	6.00
13	12.00	14.07	17.90	6.00
14	13.00	15.07	18.90	6.00
15	14.00	16.07	19.90	6.00
16	15.00	17.07	20.90	10.00
17	16.00	18.07	21.90	10.00
18	17.00	19.07	22.90	10.00
19	18.00	20.07	23.90	10.00
20	19.00	21.07	24.90	10.00
21	20.00	22.07	25.90	10.00
22	21.00	23.07	26.90	10.00
23	22.00	24.07	27.90	10.00
24	23.00	25.07	28.90	10.00
25	24.00	26.07	29.90	10.00
26	25.00	27.07	30.90	10.00
27	26.00	28.07	31.90	10.00
28	27.00	29.07	32.90	10.00
29	28.00	30.07	33.90	10.00
30	29.00	31.07	34.90	10.00

一般公差 <b>TOLERANCES</b> X ±0.5 XX ±0.15 X ±0.25 .XXX ±0.1 ANGLES ±2°		<b>宏致電子股份有限公司</b> <b>Aces Electronics Co.,Ltd.</b>	
檢驗尺寸標示 <b>SYMBOLS</b> ⊕ ⊗ INDICATE CLASSIFICATION DIMENSION ⊕ MARK IS CRITICAL DIM. ⊗ MARK IS MAJOR DIM.	品名 (TITLE) 1.0 PITCH EASY ON FPC CONN H=2.0mm SMT R/A TYPE 圖號 (DWG.NO) 51549-XXXXX-XXX	製圖 (DR) 13/08/05 DAVID 審核 (CHKD) SAM 核准 (APPD) JASON	張數 (SHEET) 1 OF 1 比例 (SCALE) 3:1 單位 (UNITS) mm
表面處理 (FINISH)	⊕ ⊗	張數 (SHEET)	1 OF 1
		SIZE	A4
		REV	B